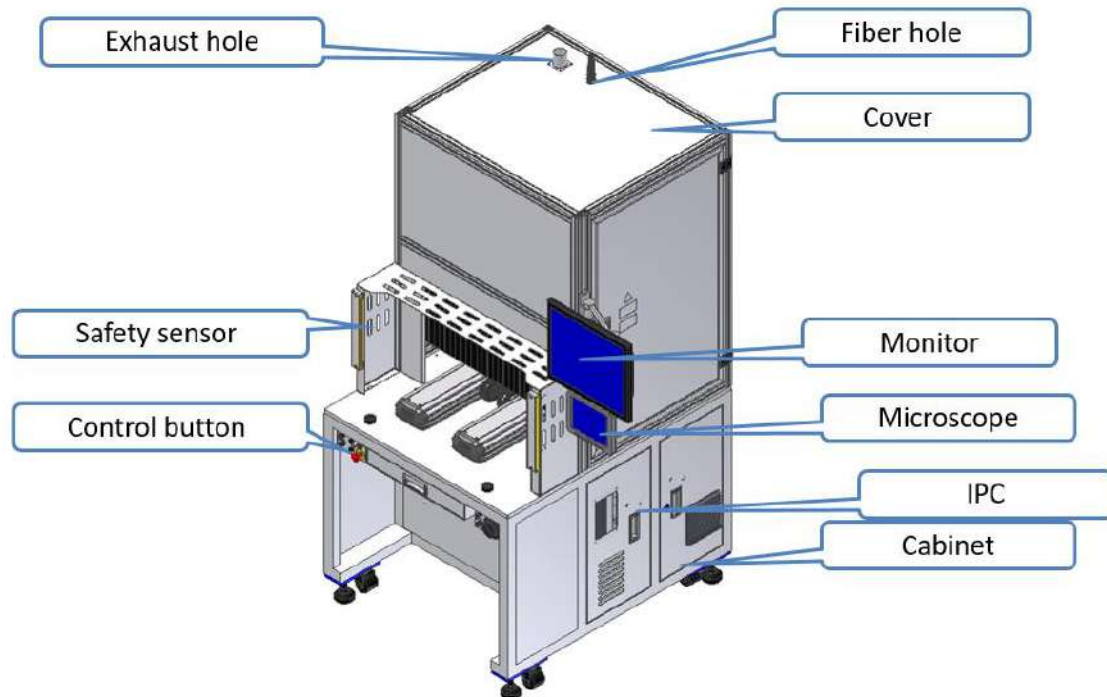
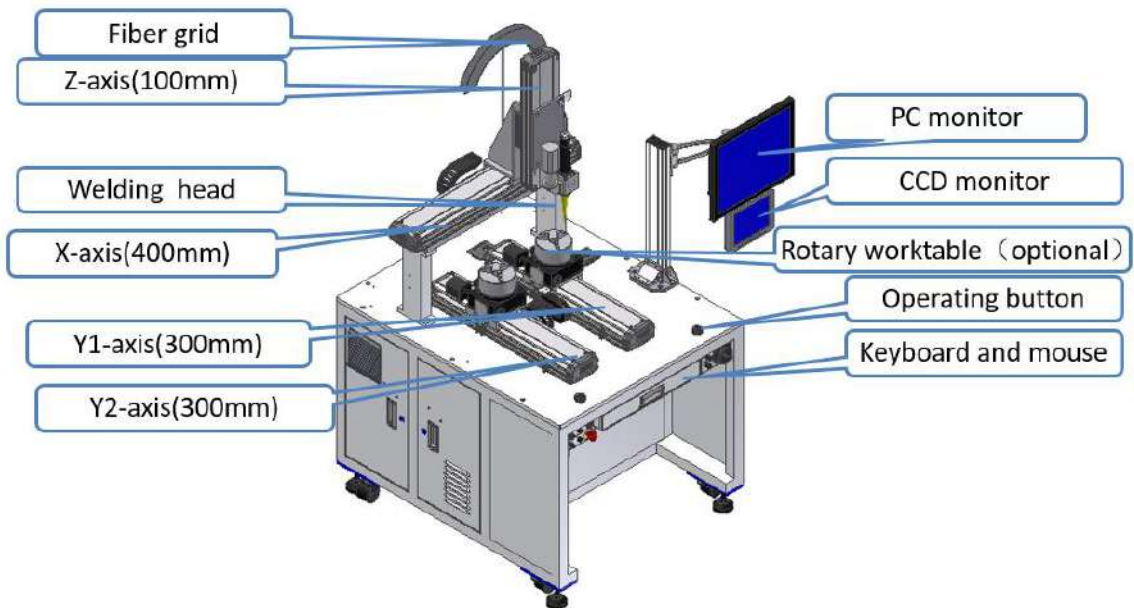


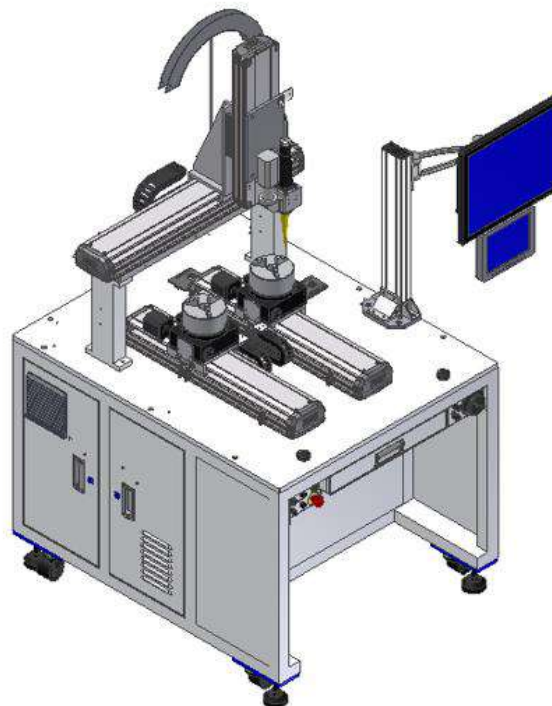
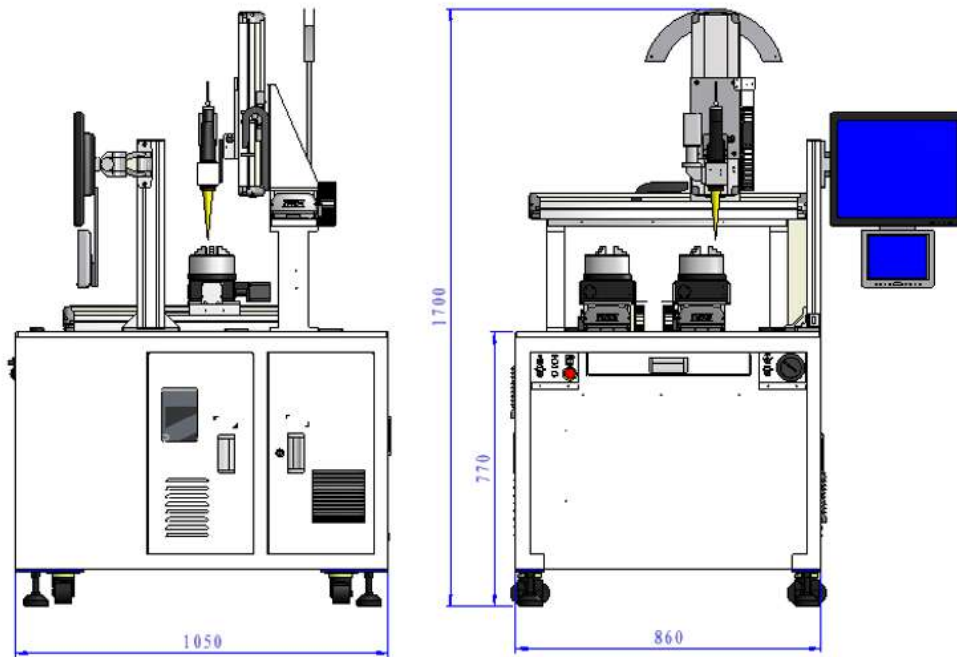
SYSTEM DESCRIPTION

WT433 LASER WELDING WORKTABLE

Edition: ST171103

1. SYSTEM DESCRIPTION





2. TECHNICAL SPECIFICATIONS

WT433 WELDING WORKTABLE	
MODEL	WT433
CONTROL	PC+CONTROL CARD
WELDING HEAD	1
LASER GENERATOR	WF,WFD,PB,FP
WORKTABLE	4 MOTOR AXIS(X,Y1,Y2,Z)
STROKE	400 (X)、300mm (Y1)、300mm (Y2) 100mm (Z)
PRECISION	<±0.02mm
WORKSTATION	DOUBLE
AUTOMATION	MUNUAL LOADING,AUTO WELDING
OPTION	CUSTOMISED FIXTURE
WELDING PATH	2D
DIMENSION	860*1050*1700mm
POWER SUPPLY	220V/50Hz/2KW

Suntec Laser Technology Co., Ltd.

Suntec Laser Technology Co., Ltd. is located in the China Silicon Valley — Shenzhen. With a powerful R&D team and dedicated sales personnel, we are committed to provide solutions of global industrial laser processing. Suntec has a wide range of laser & photonics products, including but not limited to laser marking machine series, laser welding machine series, laser cutting machine series, optical components and relevant accessories of laser spare parts. We also provide OEM customized service for customers. Our main products involved in electronic circuits, integrated circuits, instrumentation, computer manufacturing, mobile communications, auto parts, precision machinery, building materials, clothing apparel, city lights, gold and silver jewelry, crafts gifts, and other industries.

Based on Shenzhen Suntec headquarter, our own Brazil subsidiary Suntec Laser Tecnologia LTDA and Suntec International (HK) Co., Limited are also providing laser solutions for local customers.

Suntec has been working with famous companies like Flextronics, Foxconn, WEG, Salcomp, ADATA, etc. Our rich experience in laser industry will help every future customer find the most efficient way to finish the projects.

Address: 4F, 7 Building, Internet Industrial Park (A Zone), Baoyuan Rd., Bao'an District, Shenzhen, P.R. China

Tel: +86-755-23572117

Email: info@sunteclaser.com

Website: www.sunteclaser.com